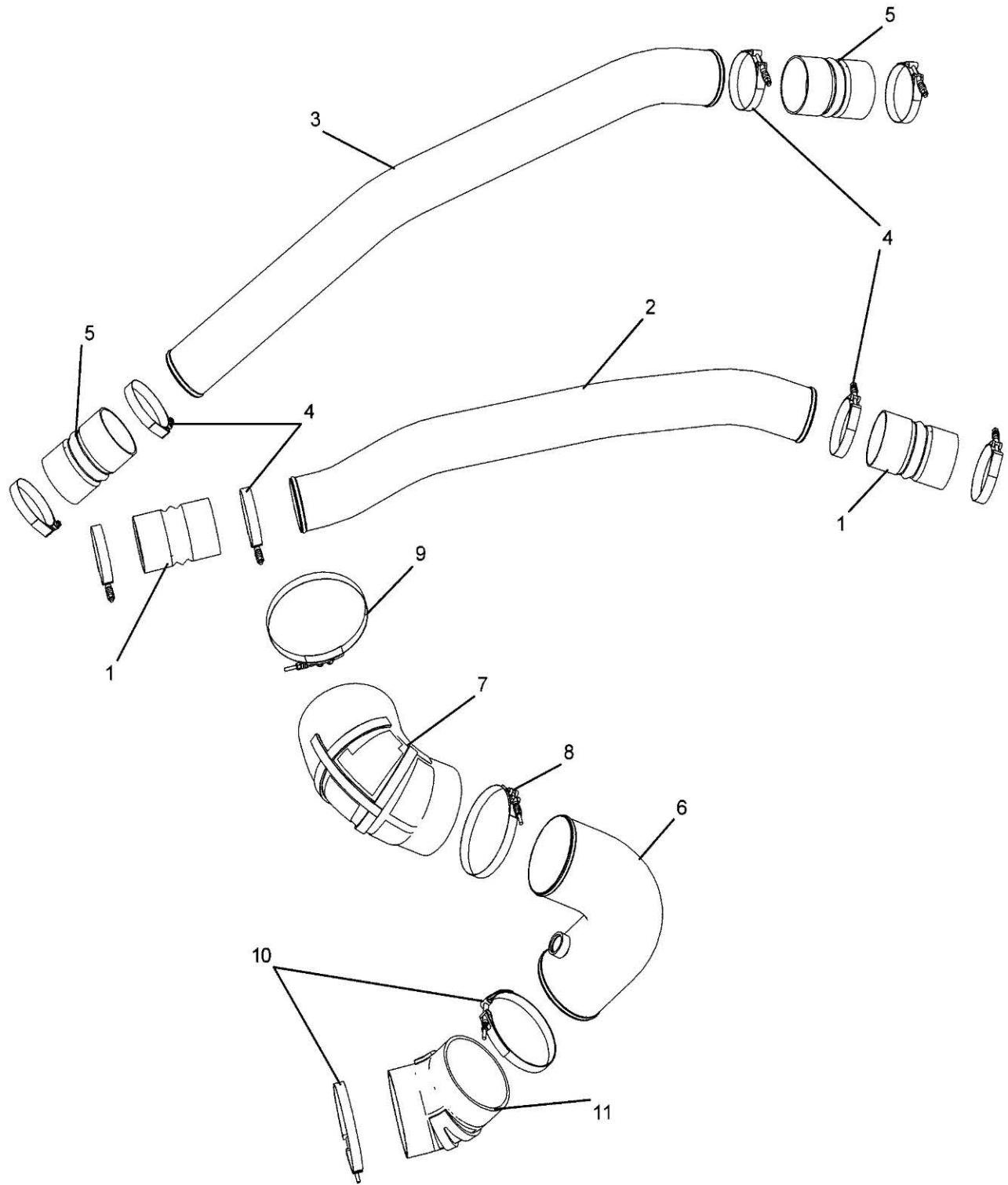


**TABLE OF CONTENTS****COMPRESSED AIR SYSTEM**

---

500963D1 - AIR INTAKE LINES - MT855, MT865, MT875	07-0001
567420D1 - AIR TANK ADAPTER ASSEMBLY	07-0002
178-7197 - AIR DRYER GROUP, B	07-0003
500984D1 - AIR COMPRESSOR PRESSURE RELIEF VALVE ASSEMBLY	07-0004
567242D1 - AIR COMPRESSOR GROUP	07-0005
CH190-0431 - CAP, M18 TUBE	07-0006
564646D1 - AIR TANK GROUP, MT900	07-0007
564646D1 - AIR TANK GROUP, MT900	07-0008
564647D1 - AIR COUPLER LINES GROUP - MT900E	07-0009
577265D1 - AIR PRESSURE SERVICE KIT	07-0010
APPLIES TO ALL TRACTORS WITH AN AIR COMPRESSOR GROUP.	

500963D1-06-T401



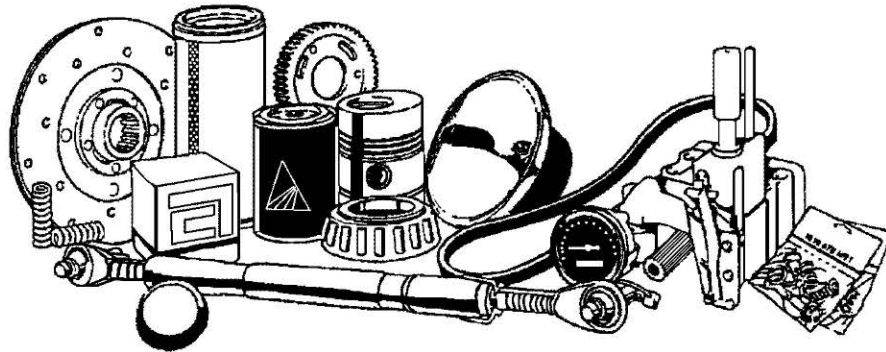
**500963D1 - AIR INTAKE LINES - MT855, MT865, MT875**

---

ITEM	PART NUMBER	QTY	DESCRIPTION COMMENTS	TECHNICAL SPECIFICATION
1	219-8630	2	HOSE	100MM ID X 152.4MM LONG
2	500965D1	1	TUBE	
3	500966D1	1	TUBE	
4	501021D1	8	T-BOLT CLAMP	104.9MM-112.8MM ID X 19MM
5	501062D1	2	HOSE	100MM ID X 152.4MM LONG
6	501878D1	1	TUBE INLET	
7	501891D1	1	ELBOW	
8	502277D1	1	T-BOLT CLAMP	
9	502278D1	1	T-BOLT CLAMP	
10	CH135-6261	2	T-BOLT CLAMP	
11	CH9Y-6102	1	ELBOW	152.4MM ID, 45D

567420D1

**Please refer to the  
Bill Of Material  
on the opposite page  
for related Installations,  
Assemblies, or Parts**

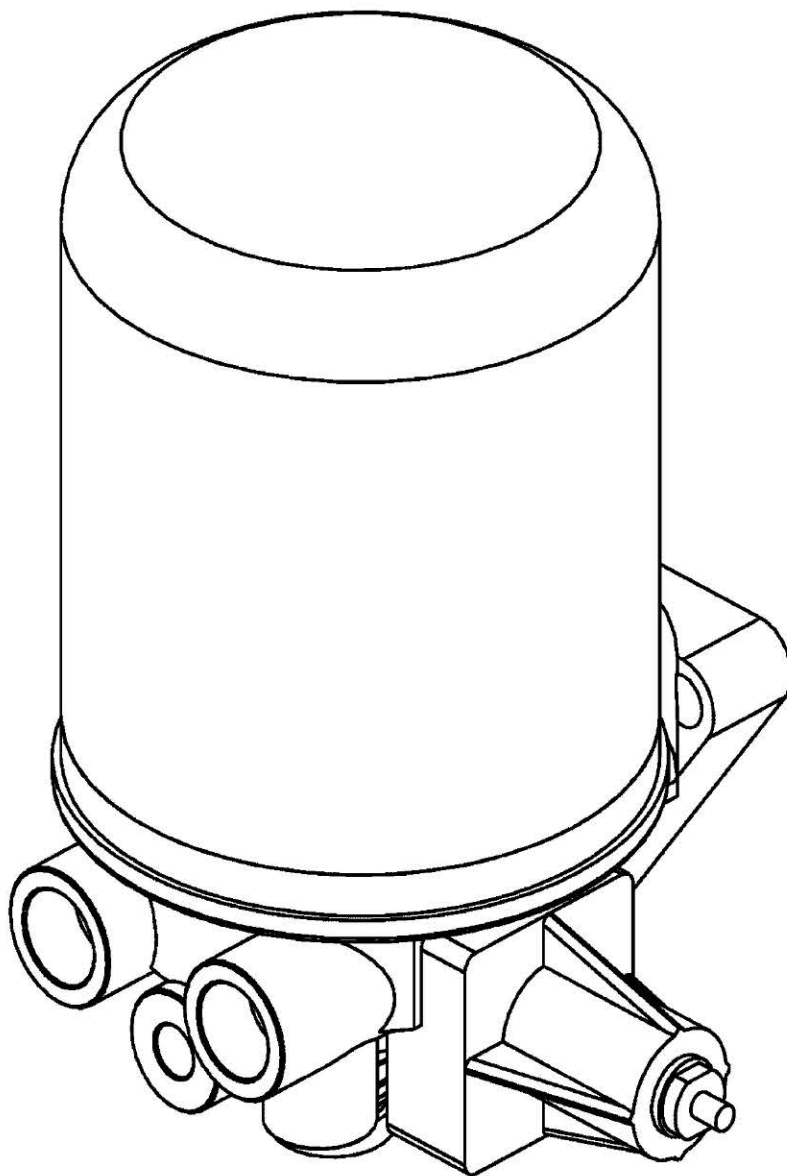


## 567420D1 - AIR TANK ADAPTER ASSEMBLY

---

ITEM	PART NUMBER	QTY	DESCRIPTION COMMENTS	TECHNICAL SPECIFICATION
	567425D1	1	CONNECTOR	AIR TANK
	567426D1	1	ELBOW	90DEG 3/8 TUBE X 1/4 NPT

178-7197-02

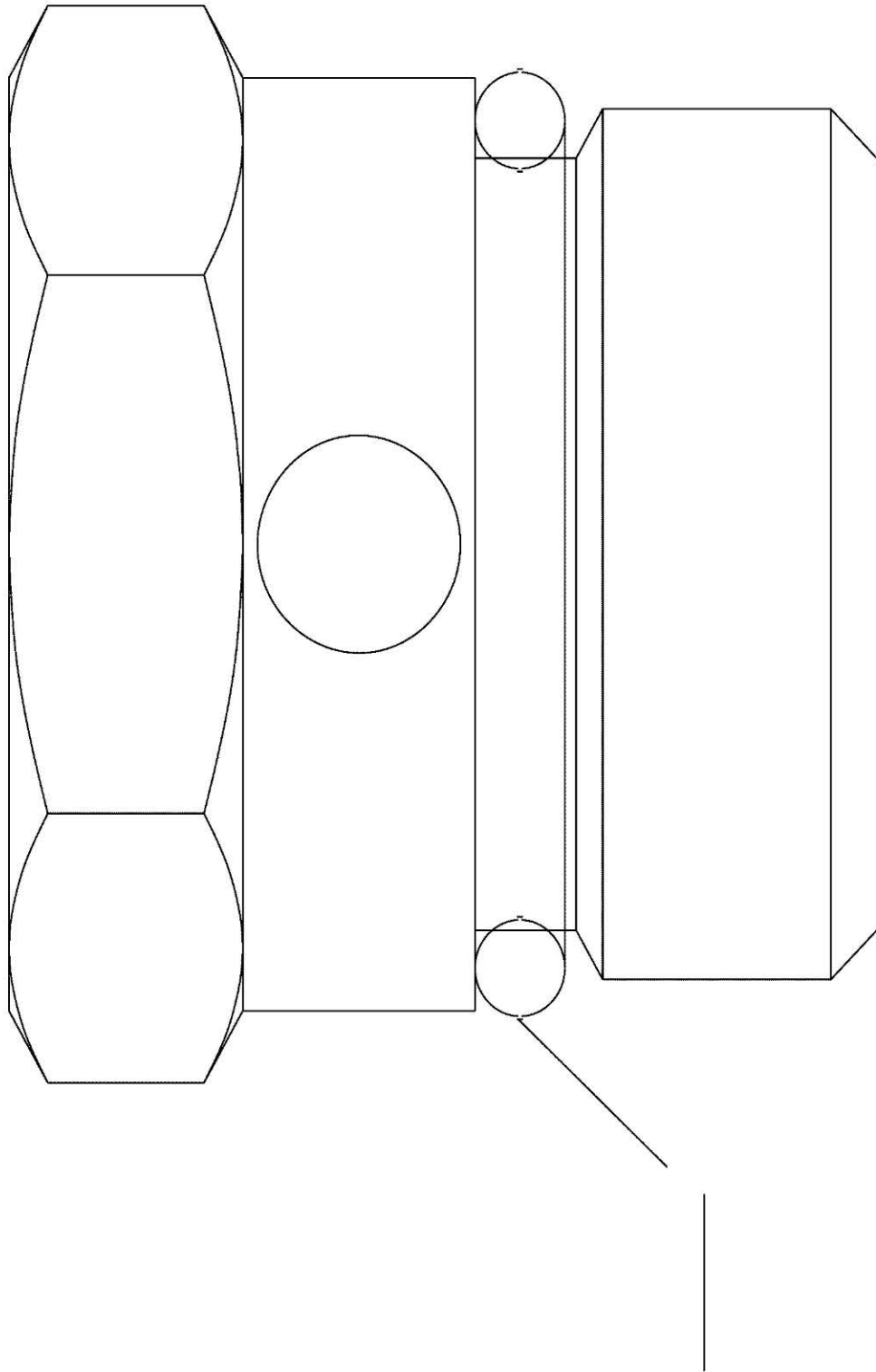


**178-7197 - AIR DRYER GROUP, B**

---

ITEM	PART NUMBER	QTY	DESCRIPTION COMMENTS	TECHNICAL SPECIFICATION
	187-5246	1	GOVERNOR	
	187-3185	1	CARTRIDGE AIR BRAKE	
	187-5245	1	VALVE PURGE VALVE	

500984D1-01-01



**500984D1 - AIR COMPRESSOR PRESSURE RELIEF VALVE ASSEMBLY**

---

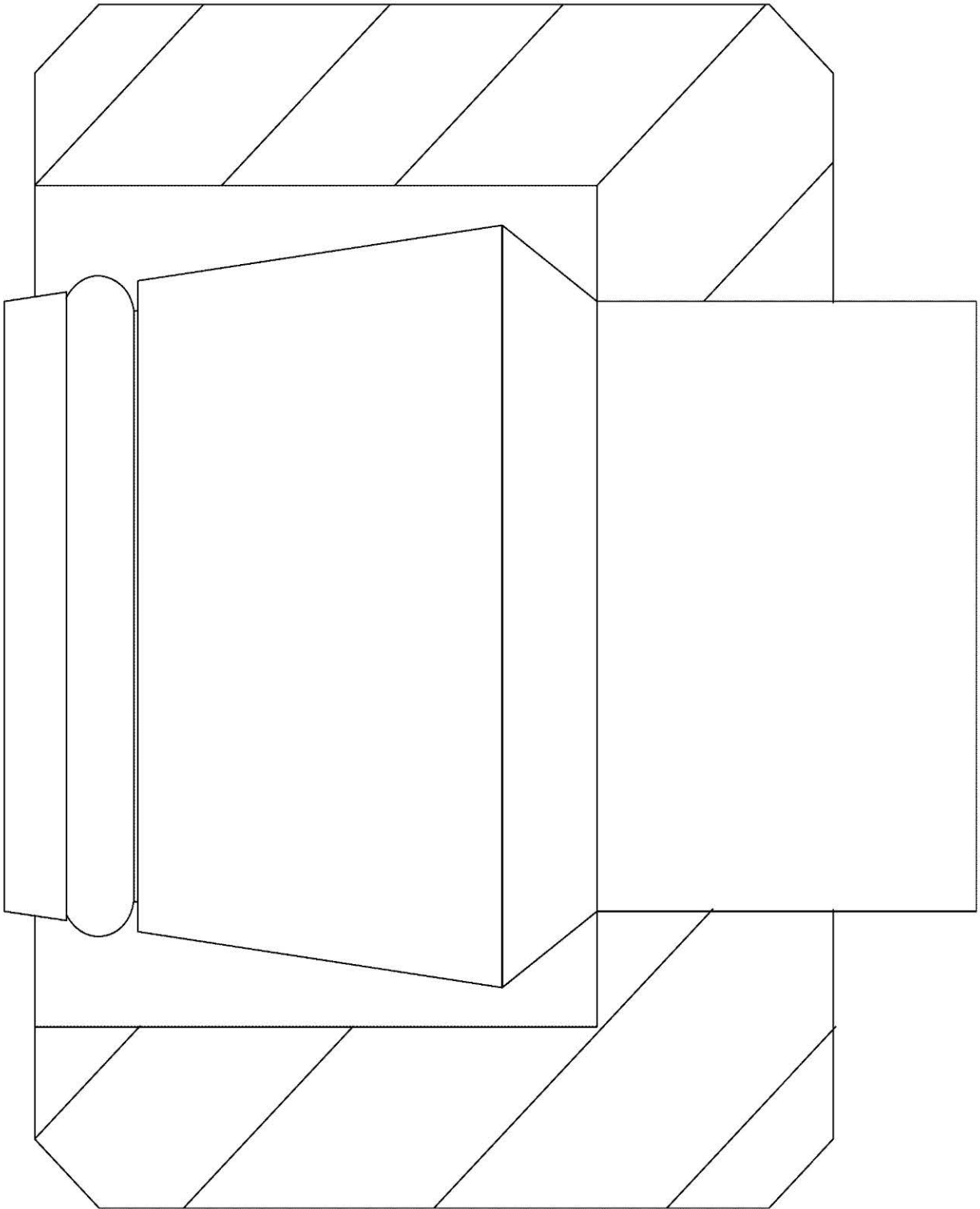
ITEM	PART NUMBER	QTY	DESCRIPTION COMMENTS	TECHNICAL SPECIFICATION
1	400319X1	1	O-RING	19.18MM ID X 2.46MM



**567242D1 - AIR COMPRESSOR GROUP**

ITEM	PART NUMBER	QTY	DESCRIPTION COMMENTS	TECHNICAL SPECIFICATION
	AG513916	X	THREAD SEALANT USE AS REQUIRED NOT SHOWN	250ML PURPLE
1	WR25083	1	ELBOW FITTING	1" STOR X 1" OD, 90D
	400376X1	1	O-RING	29.74MM ID X 2.95MM
2	AG511528	-	REINFORCED HOSE BULK:1065 MM	1", EPDM
3	7774664	1	HEX NUT	M10 X 1.5
4	V641166006	1	ELBOW FITTING	
5	V835336903	1	CYLINDER LINER O-RING	
6	V836120022	1	UNION	
7	V836667150	1	HOSE	
8	V836867138	1	AIR COMPRESSOR	
	V836879863	1	GASKET KIT	
9	V836867142	1	O-RING	
10	V837086198	1	O-RING	
11	V836867148	1	COVER	
12	V836867149	1	GASKET	
13	V836867153	1	NUT	
14	V837081546	1	FLANGE	
15	V837081634	1	HUB	
16	1444744X1	3	SEALING WASHER	10-14 X 1 MM PL
17	400039X1	2	HEXAGONAL HEAD BOLT	M10 X 1.5 X 25MM, CL10.9
18	400054X1	2	HEXAGONAL HEAD BOLT	M10 X 1.5 X 16MM, CL10.9
19	400287X1	3	FLAT WASHER	11MM X 21MM X 2.5MM
20	400357X1	2	FLAT WASHER	M12 X 25.5 X 3MM
21	400367X1	1	CONNECTOR FITTING	-6 STOR X -6 ORFS
	400318X1	1	O-RING	11.89MM ID X 1.98MM
	400378X1	1	O-RING	12.83MM OD X 1.78MM
22	400598X1	2	CLIP	31.8MM ID
23	400701X1	2	HOSE CLAMP	22.2-44.45MM ID RANGE
24	402580X1	1	BARBED CONNECTOR	M26 X 1.5 X -16 HB STR
25	402687X1	2	HEX SOCKET HEAD BOLT	M12 X 1.75 CL12.9
26	402689X1	2	ELBOW FITTING	3/8" ORFS X M16 X 1.5
	401377X1	2	O-RING	13.3MM X 2.2MM
	400378X1	2	O-RING	12.83MM OD X 1.78MM
27	4282533M2	1	UNION	
28	400663X1	1	CLIP	28.58MM ID
29	567489D1	1	COOLANT TUBE	2 X 3/8" ORFS
30	571982D1	1	COOLANT TUBE	2 X 3/8" ORFS
31	CH148-8378	1	ELBOW FITTING	9/16"-18 X 11/16"-16
	400318X1	1	O-RING	11.89MM ID X 1.98MM
	400378X1	1	O-RING	12.83MM OD X 1.78MM

CH190-0431-01

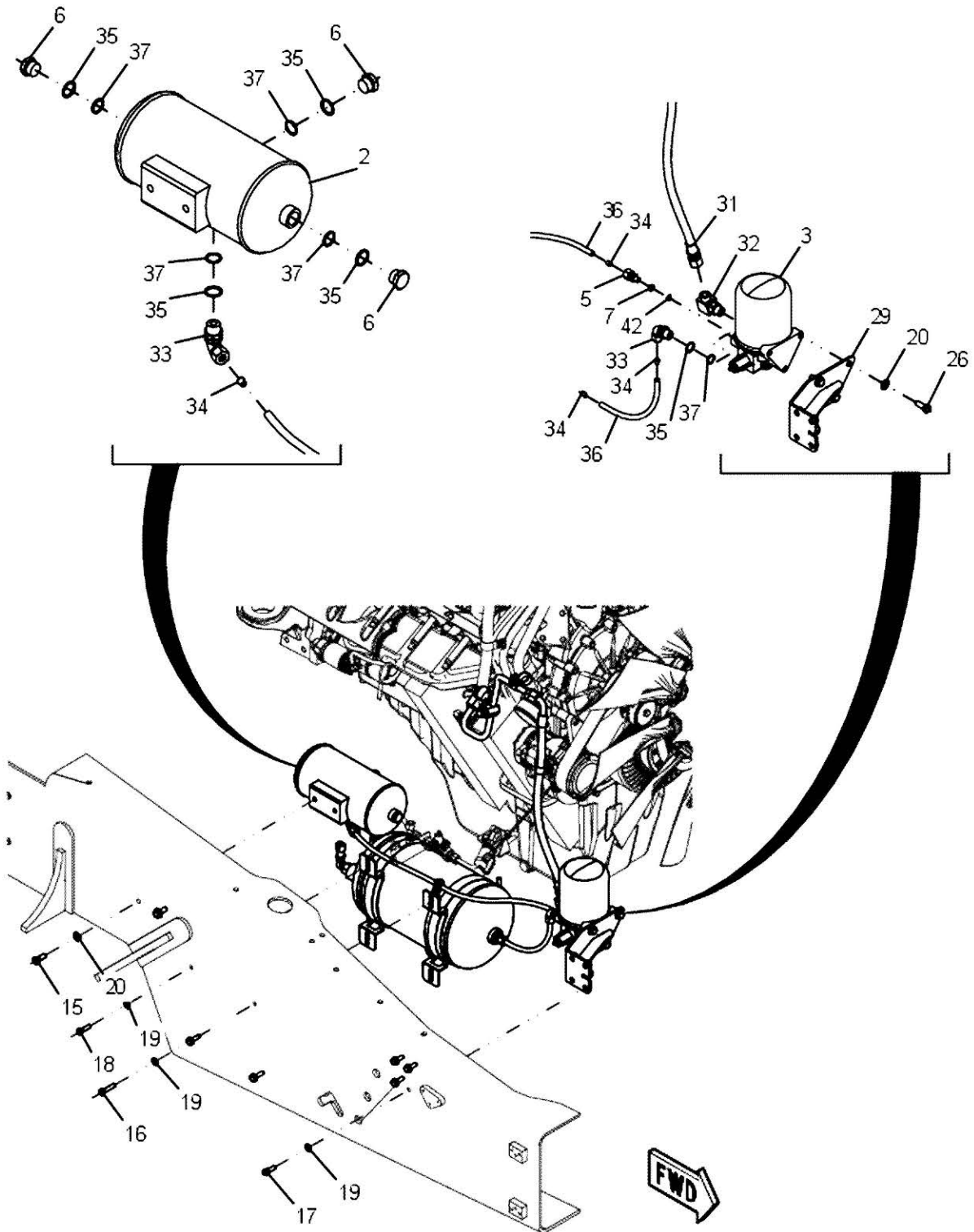


**CH190-0431 - CAP, M18 TUBE**

---

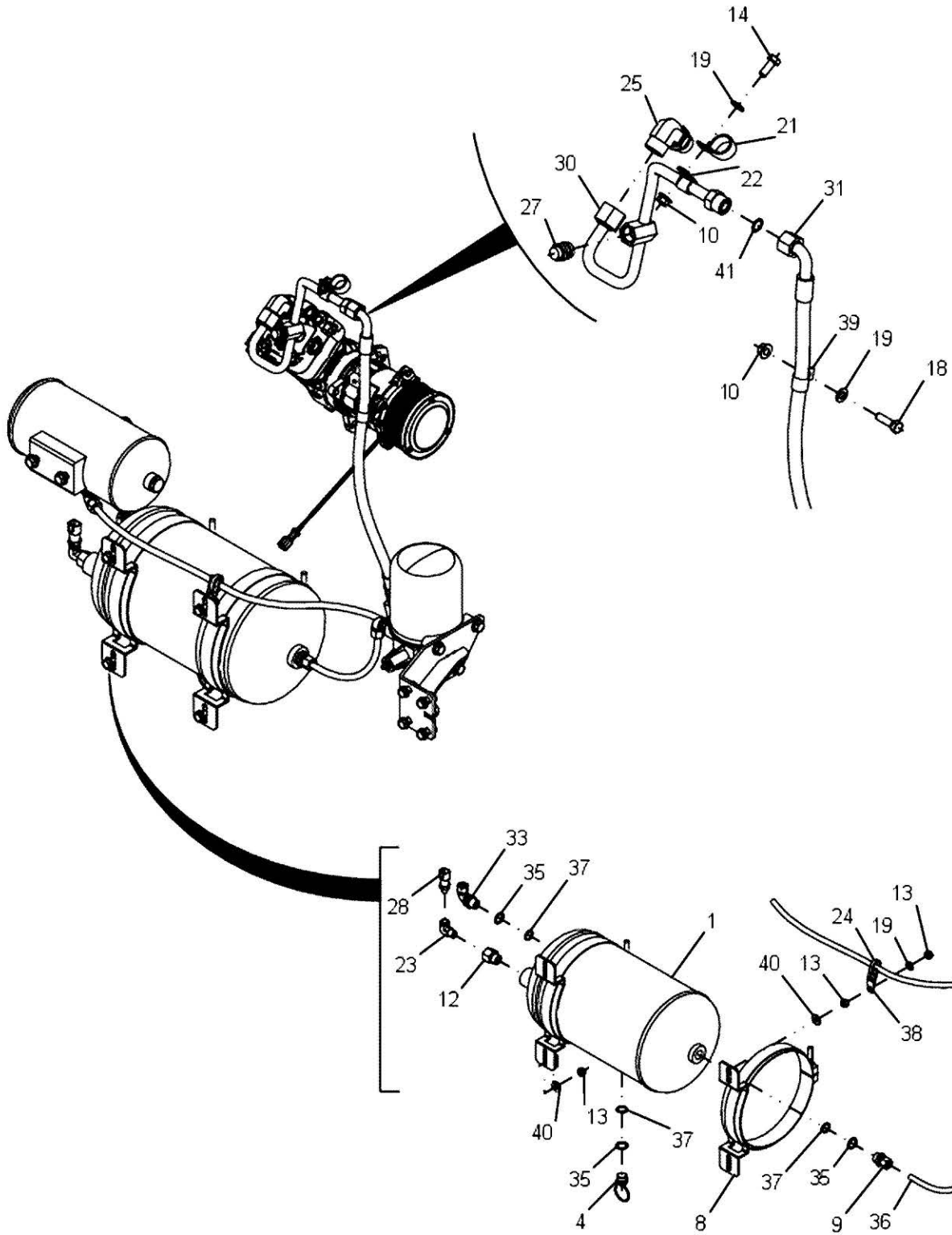
ITEM	PART NUMBER	QTY	DESCRIPTION COMMENTS	TECHNICAL SPECIFICATION
	CH3E-4297	1	O-RING SEAL	10 X 1.5

564646D1-4-01



ITEM	PART NUMBER	QTY	DESCRIPTION COMMENTS	TECHNICAL SPECIFICATION
2	177-9555	1	TANK 5 LITER	
3	178-7197	1	AIR DRIER SEE PAGE 07-0003	
5	185-9754	1	ADAPTER FITTING	M12 X 1.5 X M18 X 1.5
	400352X1	1	HEX NUT	M18 X 1.5 (12MM DIN 2353)
	CH187-6297	1	FERRULE FITTING	12 OD
6	185-9756	3	HEX HEAD PLUG	M22 X 1.5
7	185-9771	1	BACKUP RING	
15	400041X1	2	HEXAGONAL HEAD BOLT	M12 X 1.75 X 30MM, CL10.9
16	400049X1	1	HEXAGONAL HEAD BOLT	M10 X 1.5 X 45MM, CL10.9
17	400058X1	4	HEXAGONAL HEAD BOLT	M10 X 1.5 X 30MM
18	400059X1	4	HEXAGONAL HEAD BOLT	M10 X 1.5 X 35MM, CL10.9
19	400287X1	11	FLAT WASHER	11MM X 21MM X 2.5MM
20	400357X1	5	FLAT WASHER	M12 X 25.5 X 3MM
26	402536X1	3	HEXAGONAL HEAD BOLT	M12 -1.5 X 30MM CL10.9
29	555937D1	1	BRACKET	
31	567477D1	1	AIR HOSE	16MM X 651MM
32	CH184-8029	1	ELBOW FITTING	-10 ORFS X M22
	400322X1	1	O-RING	19.28MM OD X 1.78MM
	400366X1	1	O-RING	22.5MM OD X 1.78MM
33	CH185-9753	3	ELBOW	M22 X M18
34	CH185-9768	4	INSERT	7MM ID X 12MM FLARE OD
35	CH185-9773	8	BACK-UP RING	
36	CH200-4321	-	PLASTIC TUBE 1003 MM	
37	CH3E-6762	8	O-RING SEAL	20.3 X 2.4
42	CH9T-4057	1	SEAL	10MM ID X 2MM DIA

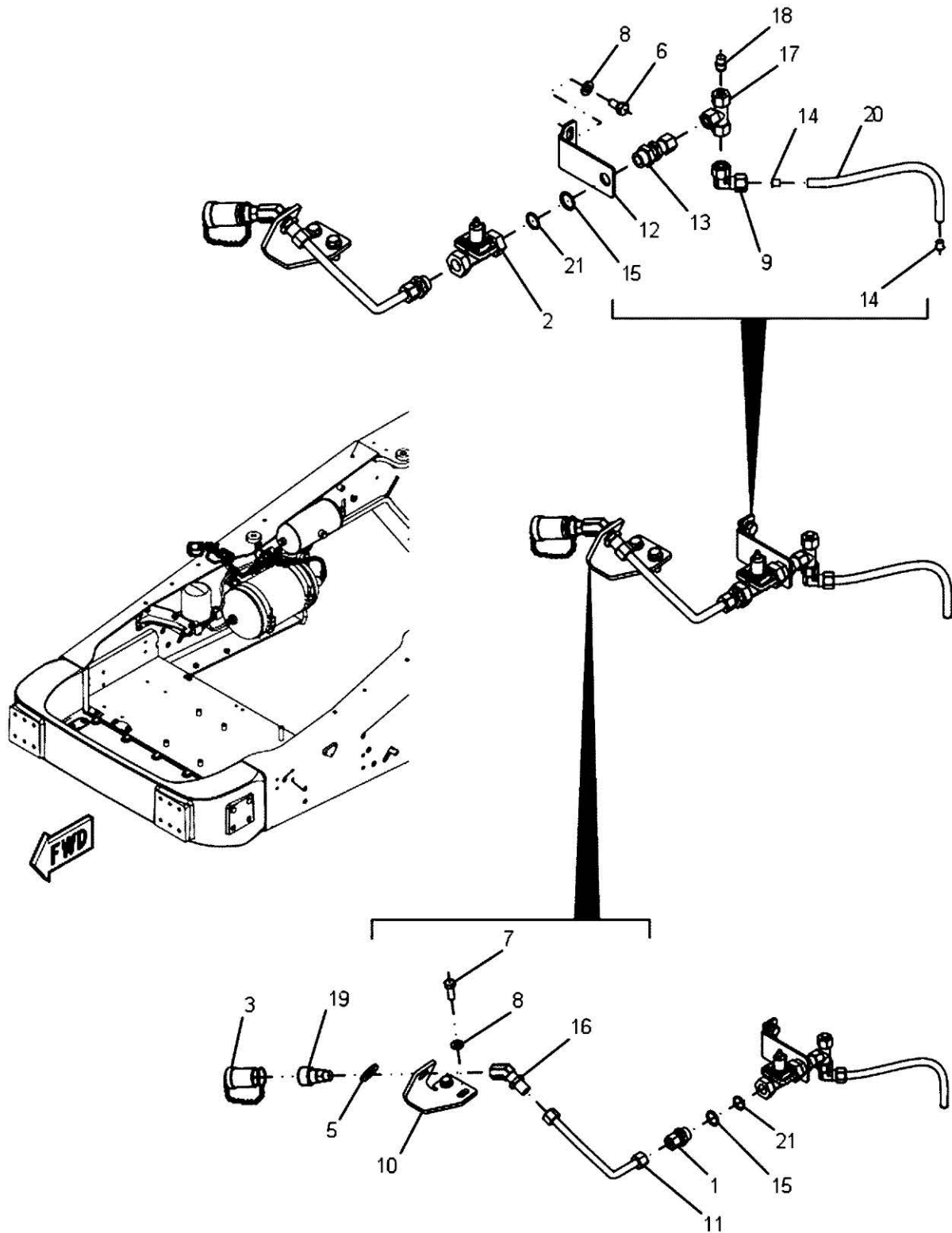
564646D1-4-02



**564646D1 - AIR TANK GROUP, MT900**

ITEM	PART NUMBER	QTY	DESCRIPTION COMMENTS	TECHNICAL SPECIFICATION
1	174-8822	1	TANK	
4	180-5485	1	DRAIN VALVE	
8	190-0446	2	BRACKET	
9	200-4365	1	CONNECTOR	
10	WR55289	2	HEX FLANGE NUT	M10 X 1.5, CL10
12	AG517938	1	ADAPTER FITTING	M22 X 1.5 OR X 3/8" F NPT
13	7774664	5	HEX NUT	M10 X 1.5
14	400039X1	1	HEXAGONAL HEAD BOLT	M10 X 1.5 X 25MM, CL10.9
18	400059X1	4	HEXAGONAL HEAD BOLT	M10 X 1.5 X 35MM, CL10.9
19	400287X1	11	FLAT WASHER	11MM X 21MM X 2.5MM
21	400700X1	1	P-CLIP	28.58 ID
22	400702X1	1	P-CLIP	15.8MM ID
23	401778X1	1	ELBOW FITTING	3/8"-18 NPT X 1/4"-18 NPT
24	402294X1	1	CABLE TIE	390MM X 7.6MM
25	402370X1	1	ELBOW FITTING	M26 X 12ORFS
	402527X1	1	O-RING	1.78X18.77
	402528X1	1	O-RING	2.62X21.89
28	525912D2	1	PRESSURE SENSOR	
30	567476D1	1	AIR TUBE	
31	567477D1	1	AIR HOSE	16MM X 651MM
33	CH185-9753	3	ELBOW	M22 X M18
35	CH185-9773	8	BACK-UP RING	
36	CH200-4321	-	PLASTIC TUBE 1003 MM	
37	CH3E-6762	8	O-RING SEAL	20.3 X 2.4
38	CH4P-7581	1	LADDER CLIP	12.5MM X 15D
39	CH6D-4246	1	P-CLIP	19.05MM ID
40	CH7X-7729	4	FLAT WASHER	11MM X 25MM X 3MM
41	CH8L-2746	1	O-RING SEAL	15.61 X 1.78

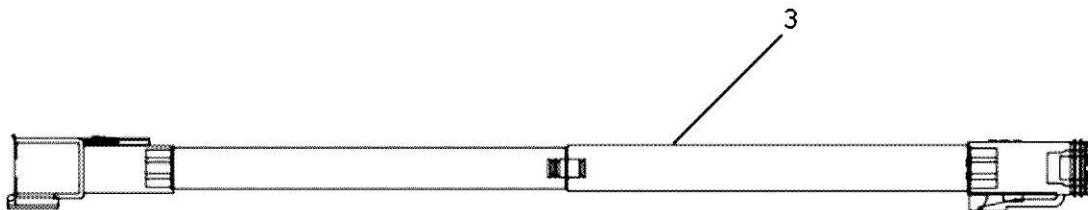
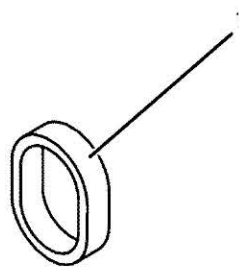
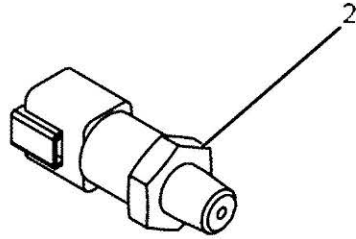
564647D1-3



**564647D1 - AIR COUPLER LINES GROUP - MT900E**

ITEM	PART NUMBER	QTY	DESCRIPTION COMMENTS	TECHNICAL SPECIFICATION
1	200-4365	1	CONNECTOR	
2	200-4369	1	VALVE CHARGING VALVE	
3	218-2806	1	DUST CAP	
5	AG604203	1	FLAT WASHER	3/4", GR8
6	400040X1	2	HEXAGONAL HEAD BOLT	M10 X 1.5 X 20MM, CL10.9
7	400058X1	2	HEXAGONAL HEAD BOLT	M10 X 1.5 X 30MM
8	400287X1	4	FLAT WASHER	11MM X 21MM X 2.5MM
9	401114X1	1	ELBOW	-12 OD TUBE X M18 SWIVEL
	400352X1	1	HEX NUT	M18 X 1.5 (12MM DIN 2353)
	CH187-6297	1	FERRULE FITTING	12 OD
10	570055D1	1	BRACKET	
11	572625D1	1	COUPLER TUBE	10MM X 215.5MM
12	576712D1	1	VALVE BRACKET	
13	CH185-9763	1	CONNECTOR	
14	CH185-9768	2	INSERT	7MM ID X 12MM FLARE OD
15	CH185-9773	2	BACK-UP RING	
16	CH187-9018	1	ADAPTER FITTING	3/8"-18 X M18, 45D BLKHD
17	CH190-0430	1	SWIVEL TEE FITTING	3X M18 X 1.5
	CH3E-4297	1	O-RING SEAL	10 X 1.5
	CH187-6297	2	FERRULE FITTING	12 OD
	400352X1	2	HEX NUT	M18 X 1.5 (12MM DIN 2353)
18	CH190-0431	1	CAP	12MM OD
	CH3E-4297	1	O-RING SEAL	10 X 1.5
19	CH191-9311	1	COUPLING	3/8"-18 NPTF
20	CH200-4321	32	PLASTIC TUBE	
21	CH3E-6762	2	O-RING SEAL	20.3 X 2.4

577265D1-1-



## 577265D1 - AIR PRESSURE SERVICE KIT

---

ITEM	PART NUMBER	QTY	DESCRIPTION COMMENTS	TECHNICAL SPECIFICATION
			<b>APPLIES TO ALL TRACTORS WITH AN AIR COMPRESSOR GROUP.</b>	
1	402294X1	3	CABLE TIE	390MM X 7.6MM
2	525912D2	1	PRESSURE SENSOR	
3	577264D1	1	WIRE HARNESS	